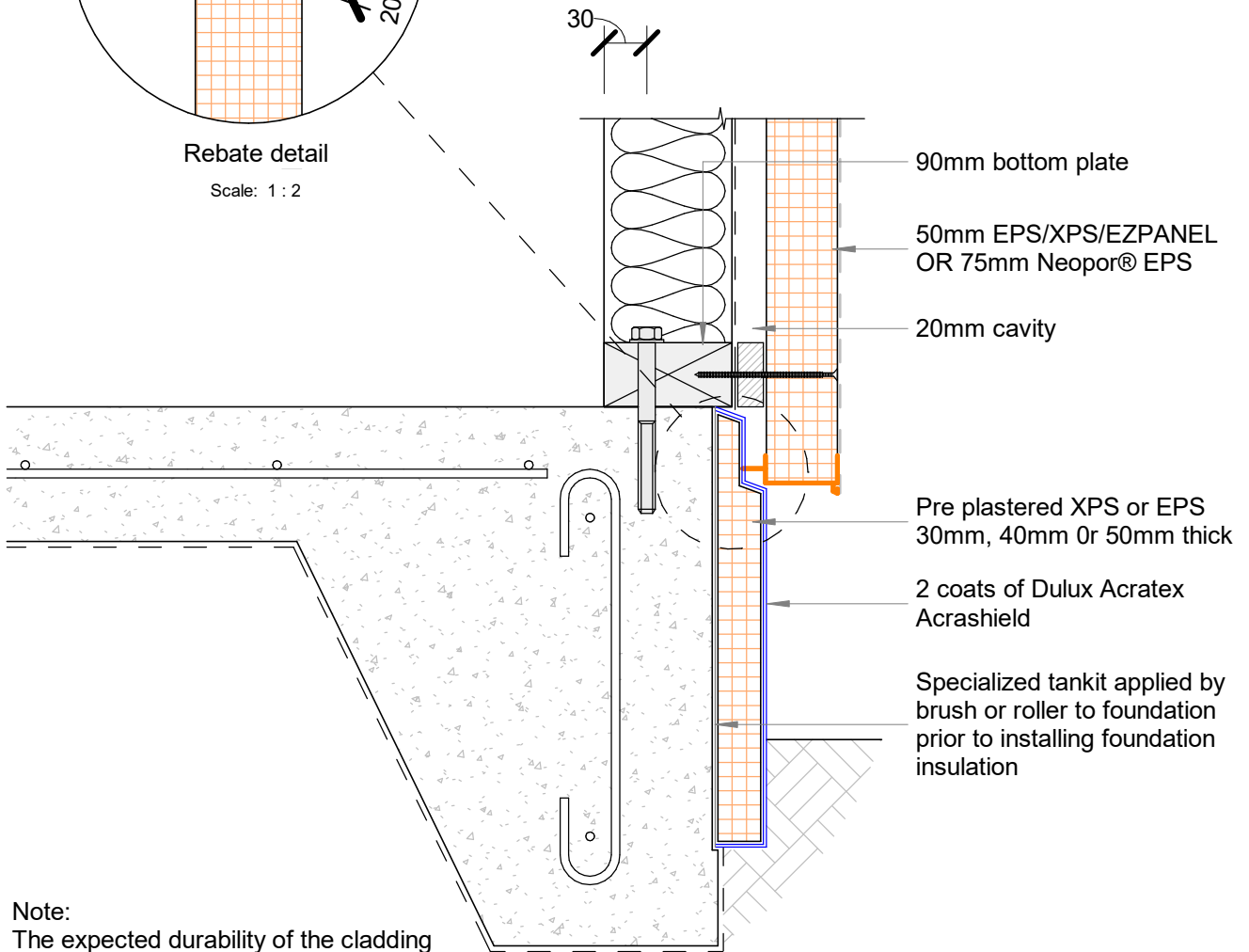


Rebate detail

Scale: 1 : 2



Note:
The expected durability of the cladding that continues into the ground may be reduced and is not covered under a standard warranty.

Scale: 1 : 5

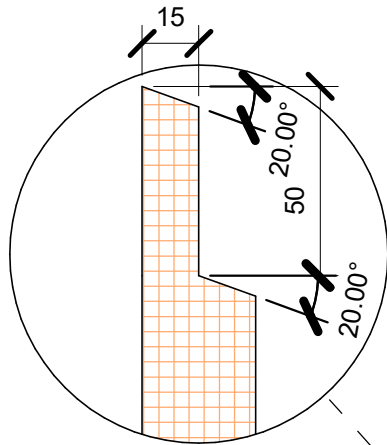
mslab_s01

Scale: As indicated

Slab Edge Detail

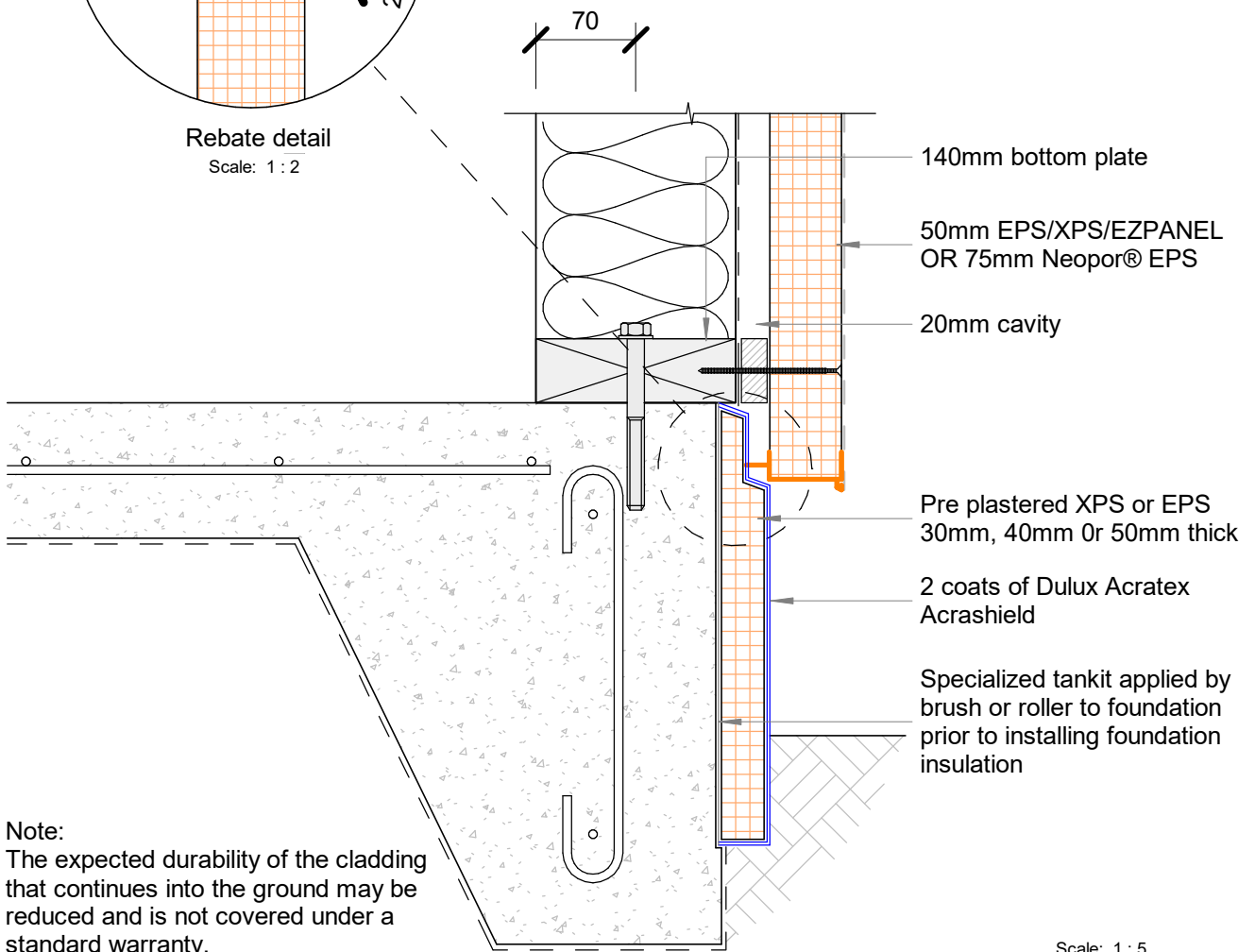
MASONRY BLOCK

Issue: Draft



Rebate detail

Scale: 1 : 2



Note:
The expected durability of the cladding that continues into the ground may be reduced and is not covered under a standard warranty.

Scale: 1 : 5

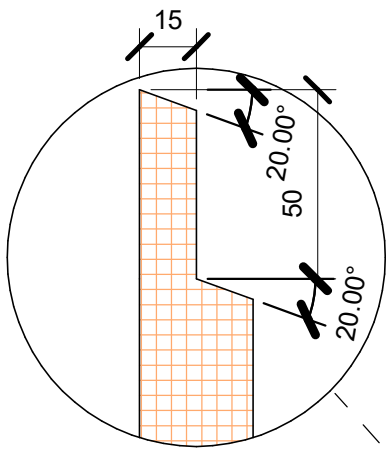
mslab_s02

Scale: As indicated

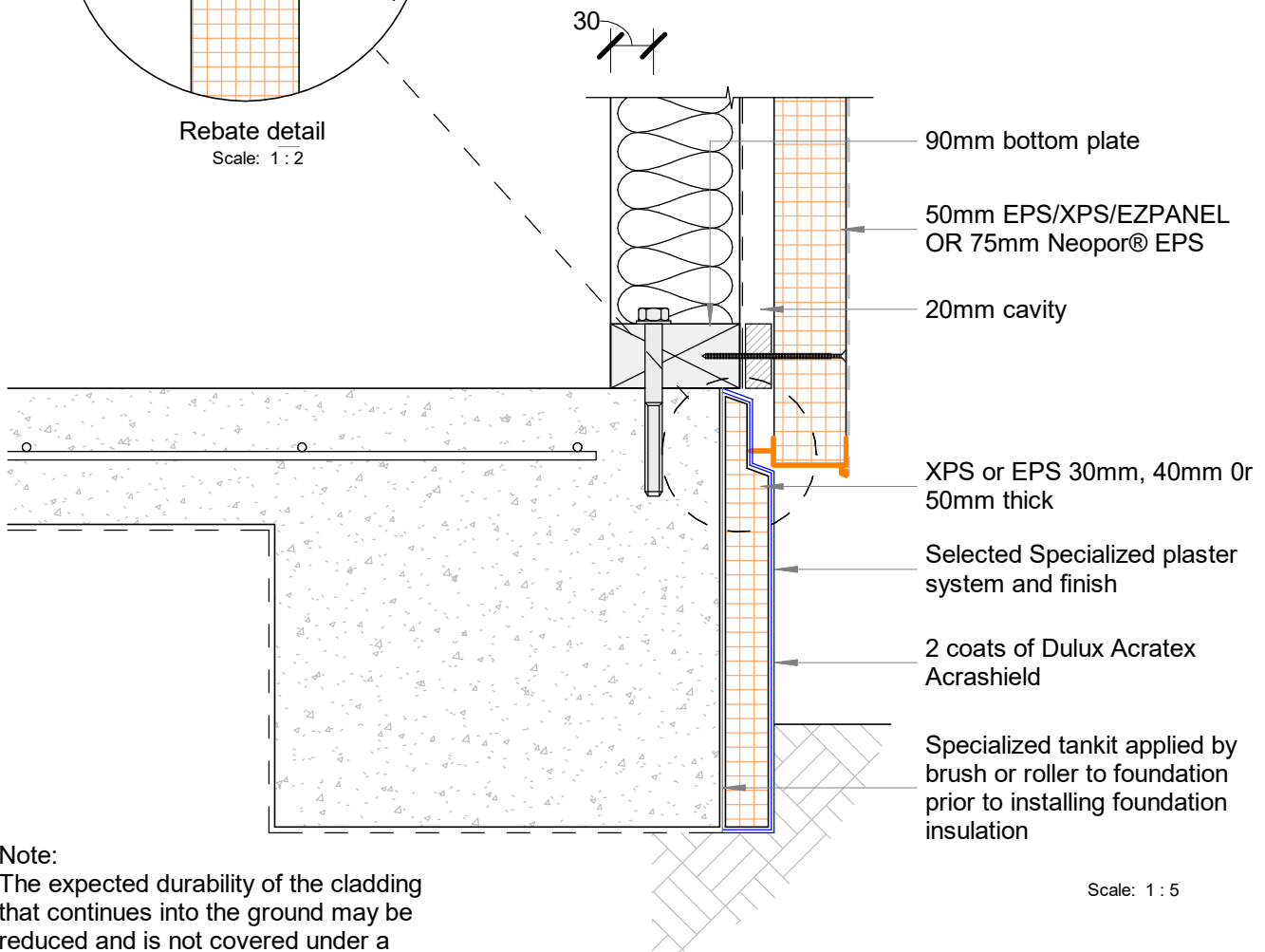
Slab Edge Detail

MASONRY BLOCK

Issue: Draft



Rebate detail
Scale: 1 : 2



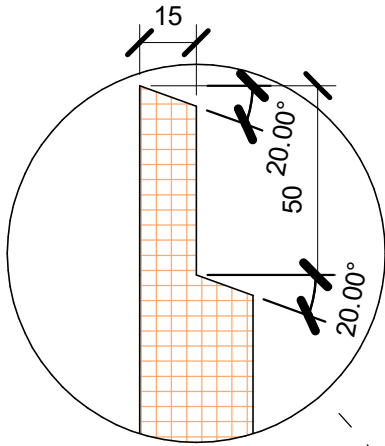
Scale: 1 : 5

Note:
The expected durability of the cladding that continues into the ground may be reduced and is not covered under a standard warranty.

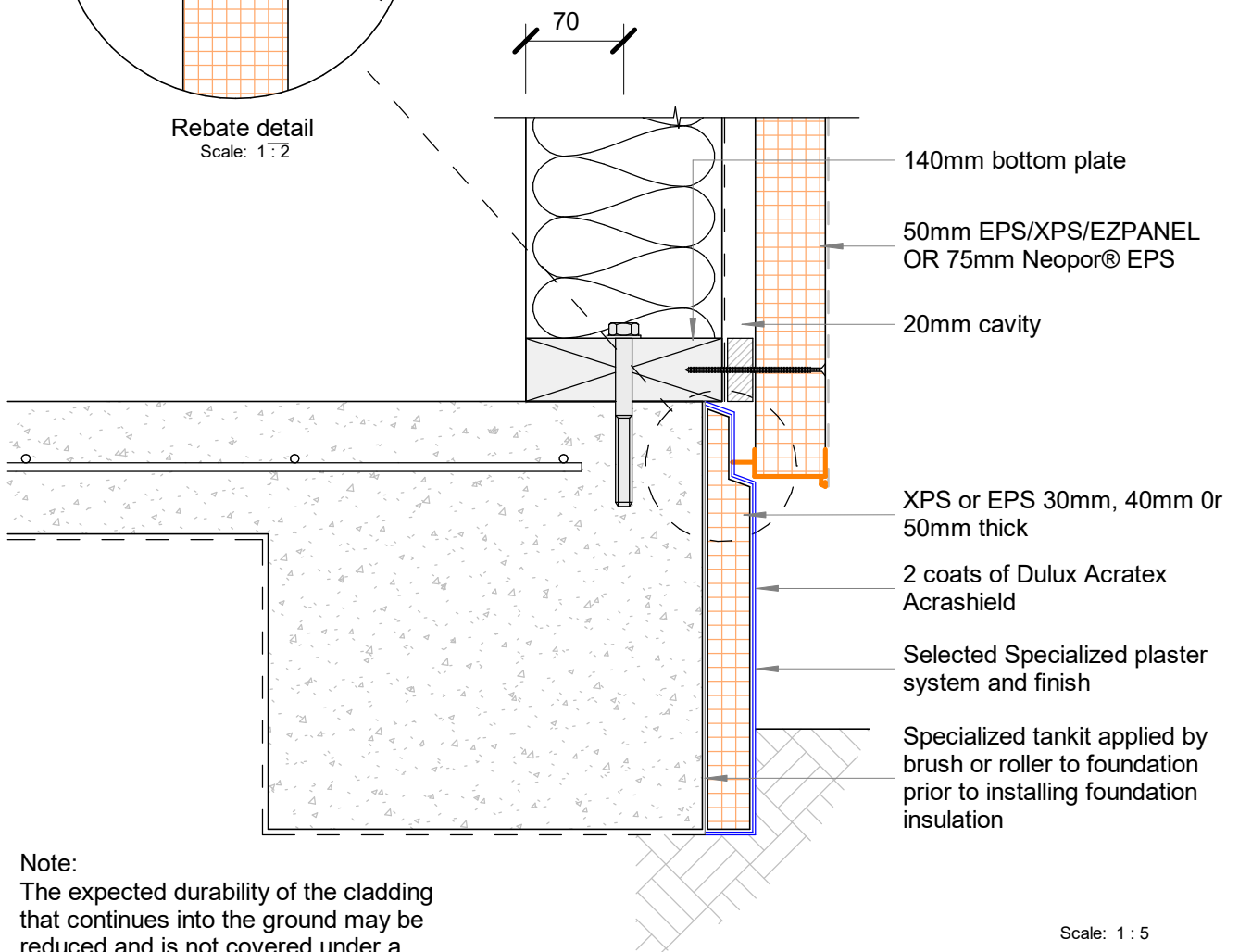
mslab_s03
Scale: As indicated

Slab Edge Detail
MASONRY BLOCK

Issue: Draft



Rebate detail
Scale: 1:2



mslab_S04

Scale: As indicated

Slab Edge Detail

MASONRY BLOCK

Issue: Draft